


Capacity	Accuracy	Part-Number
0.05 kg	C3	BM3-C3-0.05kg-6B
0.1 kg	C3	BM3-C3-0.1kg-6B
0.15 kg	C3	BM3-C3-0.15kg-6B
0.2 kg	C3	BM3-C3-0.2kg-6B
0.25 kg	C3	BM3-C3-0.25kg-6B
0.5 t	C3	BM3-C3-0.5t-3B
1 t	C3	BM3-C3-1t-6B
2 t	C3	BM3-C3-2t-6B
3 t	C3	BM3-C3-3t-6B
4 t	C3	BM3-C3-4t-6B
5 t	C3	BM3-C3-5t-6B
6 t	C3	BM3-C3-6t-6B
7.5 t	C3	BM3-C3-7.5t-6B
xxx t	C3	BM3-C3-xxx t-6B



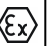
RoHS

Ex NEPSI





- Hermetically sealed load cell IP68
- Tension and compression applications
- Suitable for hanging and hopper scales and other weighing devices
- Stainless steel 17-4PH

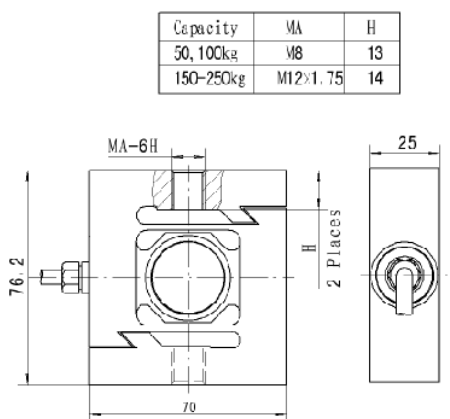




## Specification:

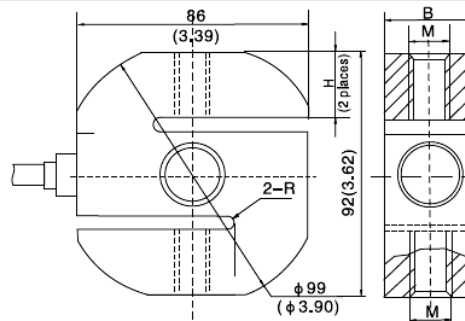
Accuracy class		C3	OIML R60 C3
Output sensitivity (= FS)	mV/V	2.0 ± 0.008	2.0 ± 0.004
Maximum capacity (E <sub>max</sub> )	t	0.05 <sup>1</sup> , 0.1 <sup>1</sup> , 0.15 <sup>1</sup> , 0.2 <sup>1</sup> , 0.25 <sup>1</sup>	0.5, 1, 2, 3, 4, 5, 6, 7.5
Maximum number of load cell intervals (n <sub>LC</sub> )		3000	
Ratio of minimum LC verification interval Y		7500	12000
Minimum Dead Load Output Return (Z = ½ * E <sub>max</sub> / DR)		-	6000
Combined Error	%FS	± 0.0200	
Minimum dead load	kg	-	0
Safe overload	of E <sub>max</sub>	120 %	
Ultimate overload	of E <sub>max</sub>	150 %	
Zero balance	of FS	< ± 1.5 %	
Excitation, recommended voltage	V	5 ~ 12	
Excitation maximum	V	18	
Terminal resistance, input	Ω	350 ± 3	350 ± 6
Terminal resistance, output	Ω	350 ± 3	350 ± 3
Insulation impedance	MΩ	≥5000 ( at 50VDC )	
Temperature range, compensated	°C	-10 ~ +40	
Temperature range, operating	°C	-35 ~ +65	
Element material		Stainless steel	
Ingress Protection (according to EN 60529)		IP68	
ATEX classification (optional)		II1G Ex ia II1C T4	II1D Ex iaD 20 T73°C
			II3G nL IIC T4

1 OIML approval pending

## Outline Dimensions in mm

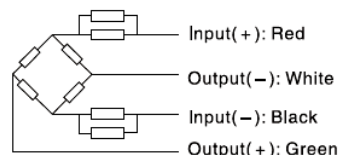


Capacity	0.5	1.0	2.0	3.0	4.0	5.0	6.0	7.5
Dimension								
B	32(1.26)	32(1.26)	32(1.26)	32(1.26)	36(1.42)	50(1.97)	50(1.97)	50(1.97)
M	M12×1.75	M12×1.75	M20×1.5	M20×1.5	M20×1.5	M24×2	M24×2	M24×2
H	25(0.98)	25(0.98)	25(0.98)	25(0.98)	25(0.98)	24(0.94)	24(0.94)	24(0.94)



### Wiring:

- Shielded, 4 conductor cable: φ 5mm.
- Standard cable length: all 6m, except 500kg (3m).
- Cable type and cable length for customer's own application are available on request.
- Shield not connected to element.



Nr. 2009.12 BM3 Rev1